

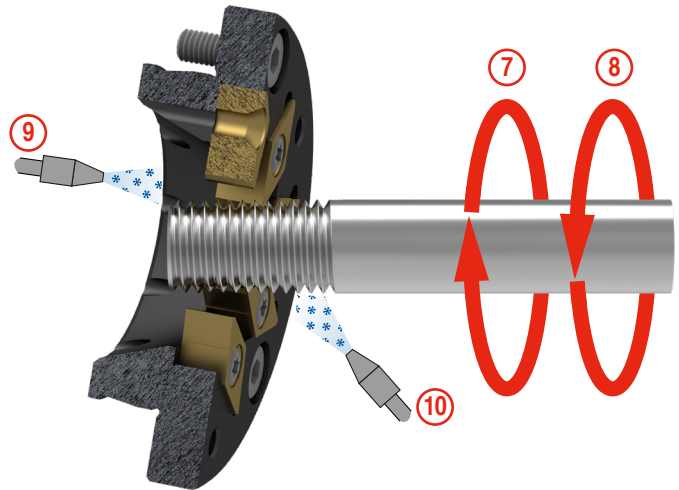
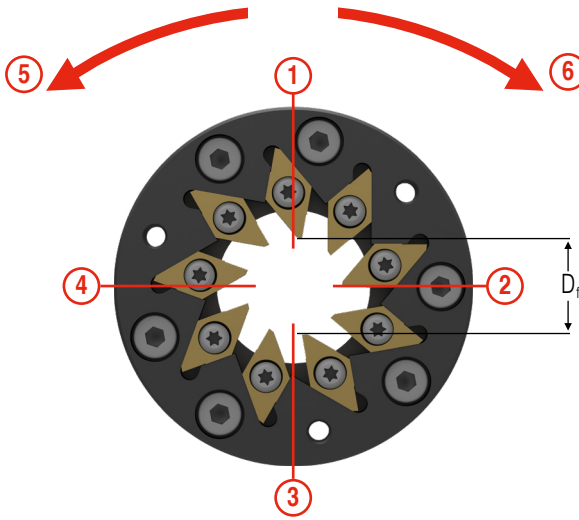
FORM

Request for special tools
Thread whirling

Please send the completed form to Techsupport.UK@ceratizit.com!

Company:
 Technical application engineer:
 Customer no.:
 Your reference:

Department:
 Contact:
 Contact Tel. No.:
 Contact E-Mail:



1 Material

Designation (DIN)
 Bar diameter (Ø)
 Bar direction of rotation (7) (8)
 Cutting position (1) (2) (3) (4)

2 Cutting edge

Full profile
 Number of threads
 Coating
(only if expressly required)

3 Tool data

Tool direction of rotation (5) (6)
 Inner cutting circle (D_i)

4 Machine data

Manufacturer
 Machine type
 Driven tool manufacturer
 Driven tool type
 Fitted on/to (e.g. turret, carriage, other)
 Y axis (yes/no)
 Coolant pressure (bar)
 Position of coolant supply (9) (10)

5 Comments

i Please include a detailed drawing of the threaded part with this request form.