

Quantity: (at least 2) Market price: (per piece)

Machining: Through hole

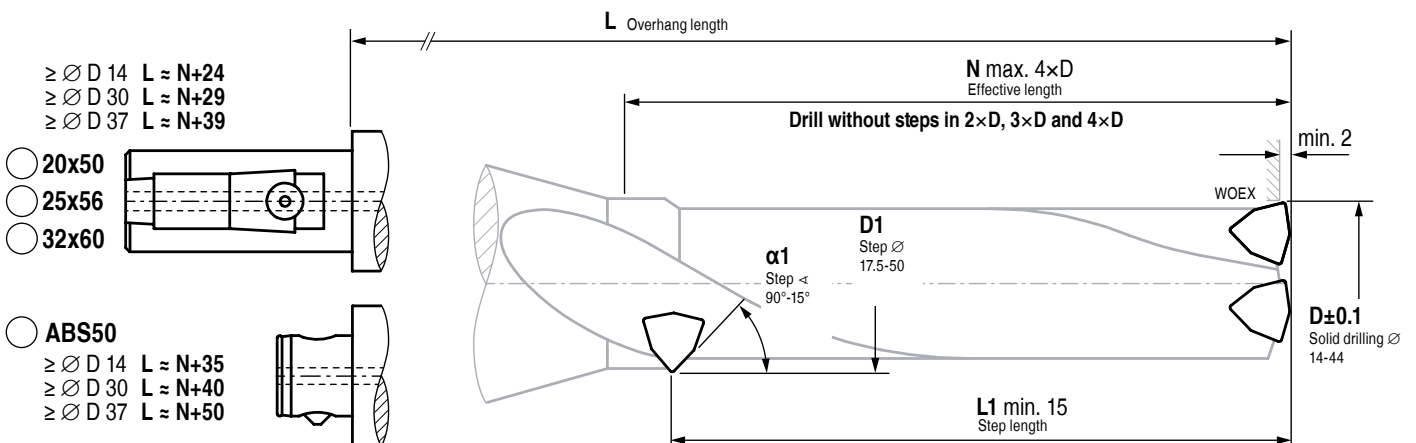
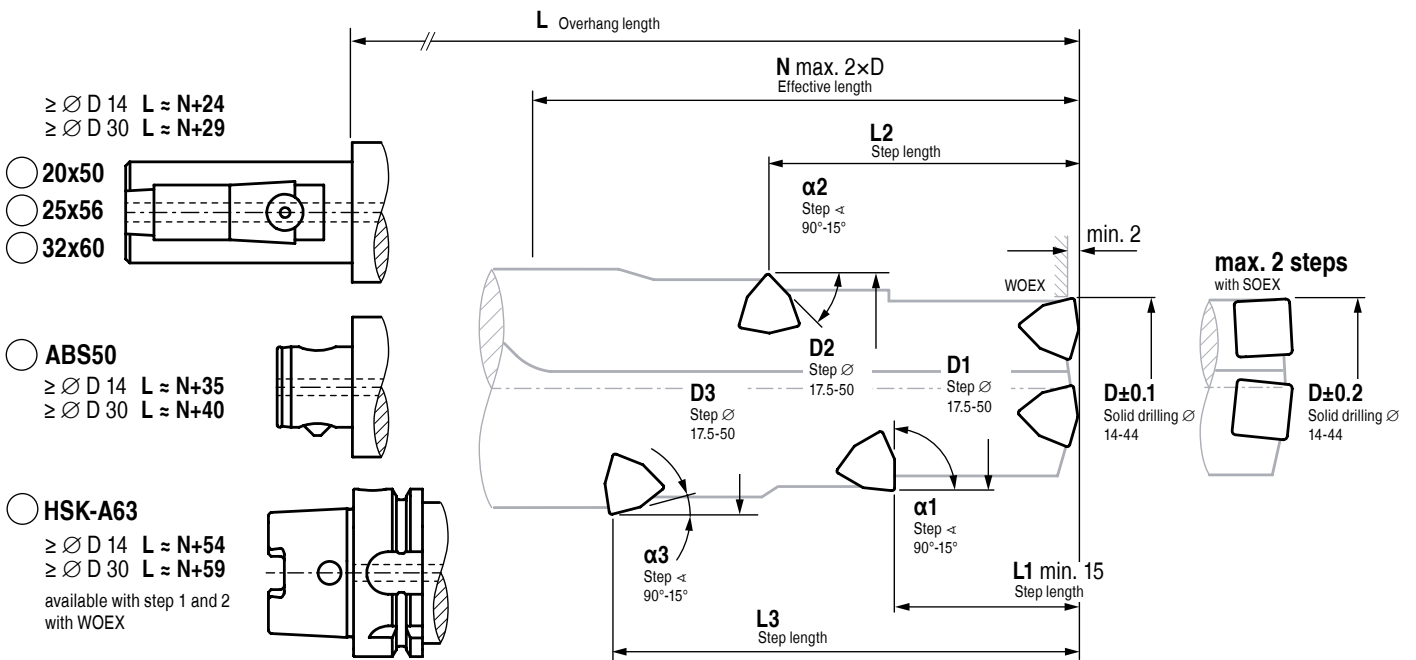
Blind hole

Material to be machined:

Tolerance D: ± 0,1 mm
Solid drilling WOEX

± 0,2 mm
SOEX

i Please attach a workpiece drawing/sketch of the contour to be machined to your e-mail. We will then only require the specifications for the tool connection.



Scope of supply: Tool shank without indexable inserts.

Remarks:

Customer no.
Company
Address
Address
Country
Department
Contact
Phone
Fax
E-mail

We check you specifications for technical feasibility
and you receive a prompt reply.

Please attach the workpiece sketch to E-mail.